



TK320S (One Shot) **1/2" Disc Temperature Limiter**

Operating Temperature Range (+30°C to +175°C)

This is a temperature sensitive device, which is intended to keep a temperature above one particular value during normal operating conditions, automatically switching off the electrical circuit.

This device is operating with one-shot action and has no reset option.

This temperature limiter is available only with contacts that open as the temperature increases.

With variety of standard and custom configurations it provides reliable one-shot over-temperature protection and meets the specific technical needs of our customers, assuring maximum design flexibility. It is used in broad range of domestic, industrial and commercial applications.

Contact Type: Normally Closed

BASIC TECHNICAL DATA

Parameter	Value
Rated voltage, V, not more	~250
Rated current, A, at power coeff. 0,95, not more	16
Rated current, A, at power coeff. 0,6, not more	10
Number of cycles, at rated current 16 A and power coeff. 0,95,	1
Operating temperature, °C	30 to 175
Tolerance of operating temperature, %, but not less °C	± 3
Temperature of self-reset	≤ (-25 °C)
Transient resistance, Ω, not more	0,05
Contact operating time, ms, not more	3
Electric strength of insulation, V, not less than	1500
Insulation resistance, MΩ, not less than	50
Heating speed, K/min	minimum-0,1; maximum-1,0
Degrees of protection provided by enclosure	IP4X; IP64

PART ORDERING SYSTEM

TK320S	TX*	MGX**	BXX	X±X***
1	2	3	4	5

1	Thermostat model
2	Terminal version (select from Table 1.1)
3	Mounting version (select from Table 1.2)
4	Body version (select from Table 1.3)
5	Operating temperature value in °C and tolerance in ± %***

Example: TK320S-T01-MG04-B2C-90°C ± 3%

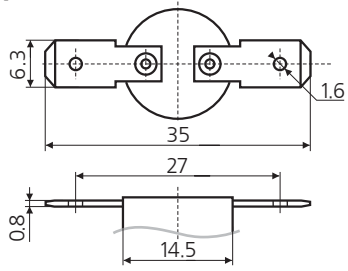
*For wire terminals, lead wire parameters must be specified when placing an order: insulation type, cross-section area; ends type; length; etc.

**For screw cap mountings, screw parameters must be specified when placing an order.

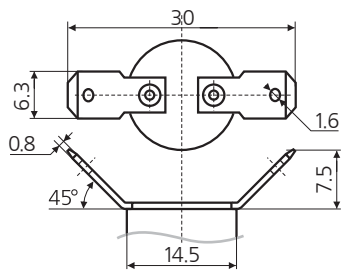
***Tolerance in % or °C, whichever numerical value is bigger.

Table 1.1 (TERMINALS)

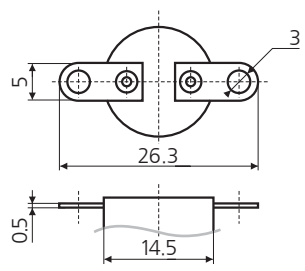
T 01



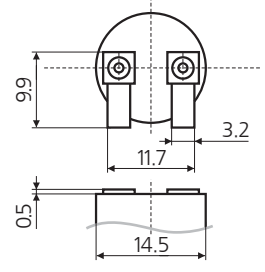
T 03



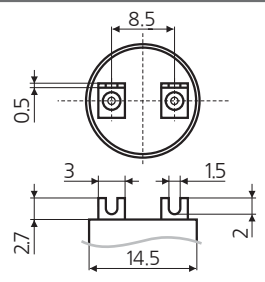
T 05



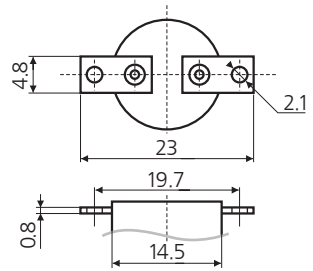
T 07



T 09

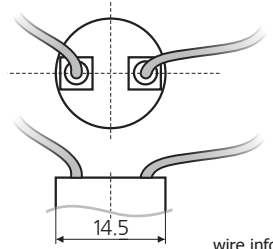


T 11



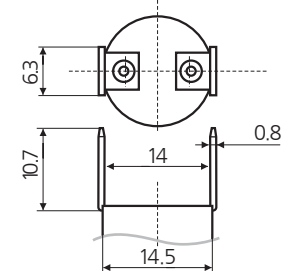
T 13

wire standard length: 150 mm

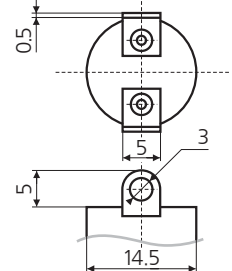


wire information to be specified on the order form (type; cross-section; lengths; stripping)
The only option for TK24 (-45+10)

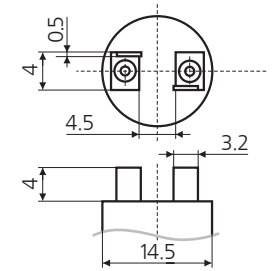
T 02



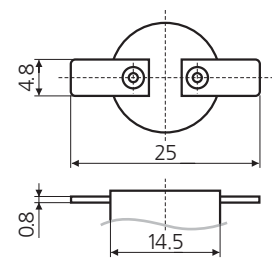
T 04



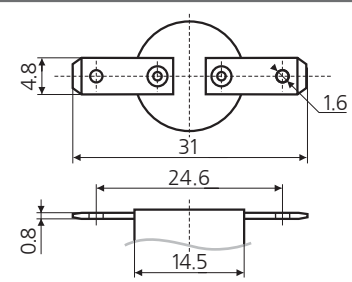
T 06



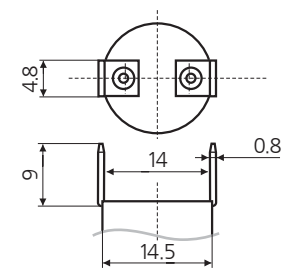
T 08



T 10



T 12



T 14

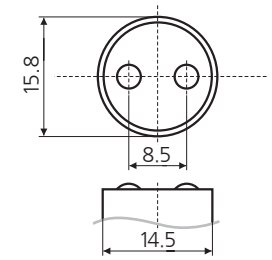
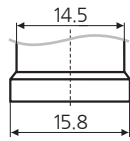


Table 1.2 (MOUNTING)

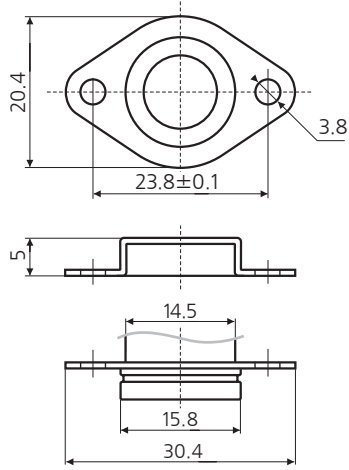
MG 00

NO MOUNTING



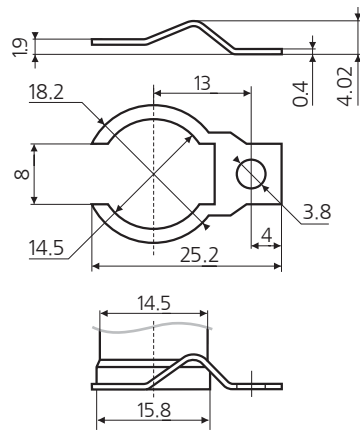
MG 02

CAP-FLANGE



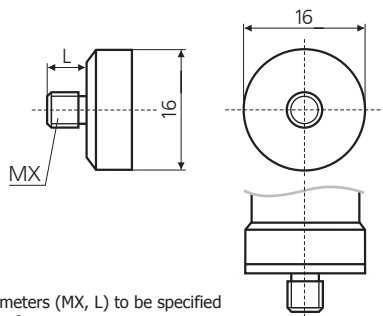
MG 04

CLIP WITH ONE FIXING HOLE



MG 06

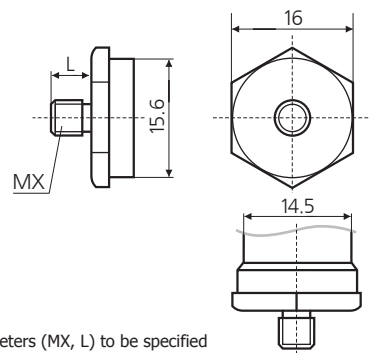
SCREW CAP ROUND



Screw parameters (MX, L) to be specified on the order form

MG 08

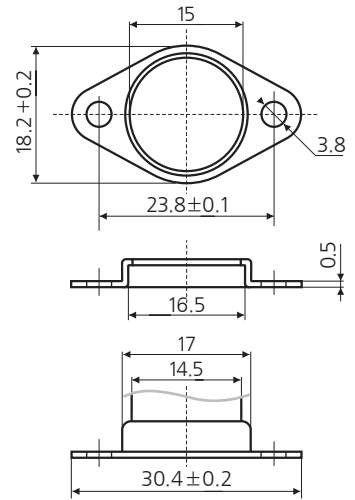
SCREW CAP HEXAHEDRAL 16



Screw parameters (MX, L) to be specified on the order form

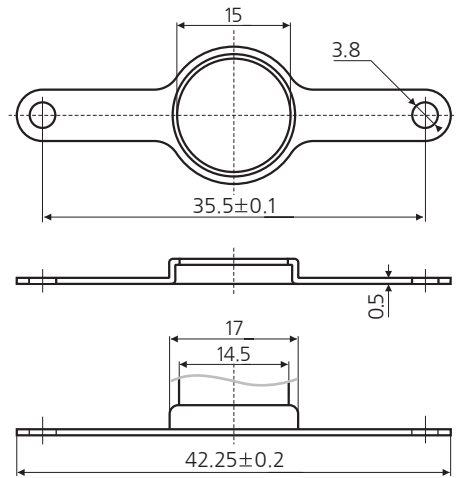
MG 01

ROTATION OR FIXED CLIP



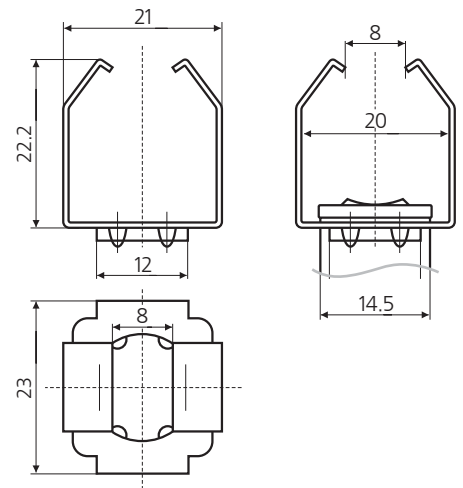
MG 03

ROTATION CLIP



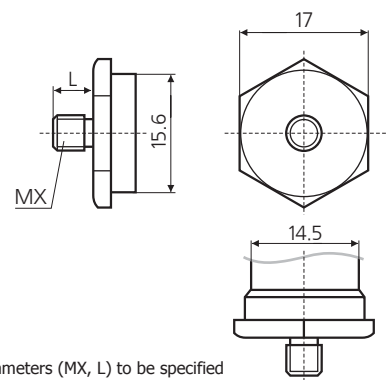
MG 05

TUBE MOUNTING



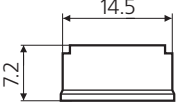
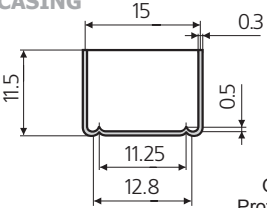
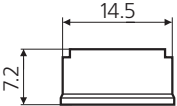
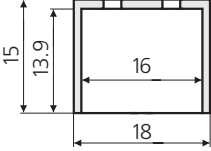
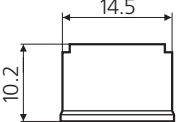
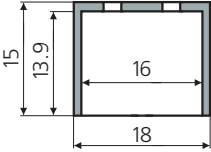
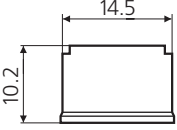
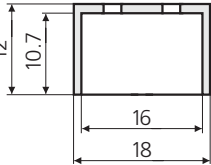
MG 07

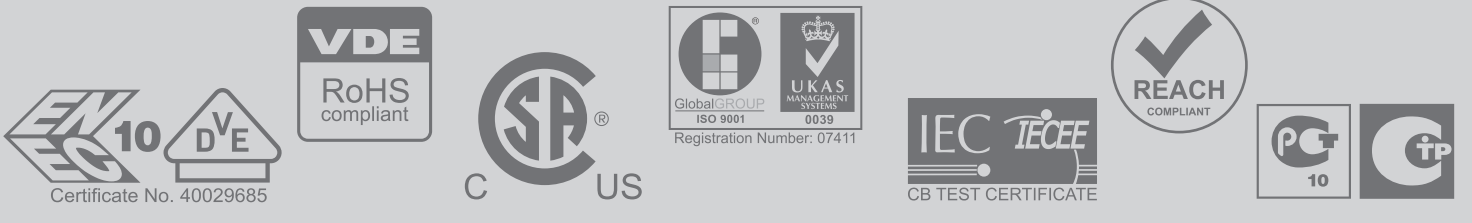
SCREW CAP HEXAHEDRAL 17



Screw parameters (MX, L) to be specified on the order form

Table 1.3 (BODY and/or CASE)

<p>B1P</p>	<p>PLASTIC BODY</p> 	<p>B3S</p>	<p>STEEL CASING</p>  <p>Only with lead wires Protection degree IP64</p>
<p>B1C</p>	<p>CERAMIC BODY</p> 	<p>B4P</p>	<p>PLASTIC CASING</p>  <p>Only with lead wires and screw caps Protection degree IP64</p>
<p>B2P</p>	<p>PLASTIC BODY</p> 	<p>B4C</p>	<p>CERAMIC CASING</p>  <p>Only with lead wires and screw caps Protection degree IP64</p>
<p>B2C</p>	<p>CERAMIC BODY</p> 	<p>B5P</p>	<p>PLASTIC CASING</p>  <p>Only with lead wires Protection degree IP64</p>



Address: "Thermorex" B.V., 145 Lylantse Plein 1,2908LH, Capelle aan den IJssel, The Netherlands.
tel.: +31(0)61 55 22 880, e-mail: info@thermorex.nl, marketing@thermorex.nl

Manufacturing plant: "Thermorex" CJSC, 24/41 Fuchik str., 0048, Yerevan, Armenia
tel.: +37410 39 58 84, 37410 34 93 51, fax: +37410 34 98 86, e-mail: info@thermorex.org, marketing@thermorex.org

